

20 GN 1/1 ELECTRIC STEAM - CONVECTION OVEN
FORNO CONVEZIONE- VAPORE ELETTRICO 20 GN 1/1

PNC	Model	Ref.	Page	Notes
267 004	AOS201EAA1	a	2-3-4-5-6	Level/Livello A
268 004	AOS201EBA1	b	2-3-4-5-6	Level/Livello B
267 024	AOS201EAN1	c	2-3-4-5-6	Level/Livello A
268 024	AOS201EBN1	d	2-3-4-5-6	Level/Livello B
267 014	AOS201EAH1	e	2-3-4-5-6	Level/Livello A
268 014	AOS201EBH1	f	2-3-4-5-6	Level/Livello B
269 004	AOS201ECA1	g	2-3-4-5-6	Level/Livello C
269 024	AOS201ECN1	h	2-3-4-5-6	Level/Livello C
269 014	AOS201ECH1	i	2-3-4-5-6	Level/Livello C
267 044	AOS201EAE1	l	2-3-4-5-6	Level/Livello A
268 044	AOS201EBE1	m	2-3-4-5-6	Level/Livello B
267 054	AOS201EAF1	n	2-3-4-5-6	Level/Livello A
268 054	AOS201EBF1	o	2-3-4-5-6	Level/Livello B
267 104	AOS201EAK1	p	2-3-4-5-6	Level/Livello A
268 104	AOS201EBK1	q	2-3-4-5-6	Level/Livello B
267 084	AOS201EAM1	r	2-3-4-5-6	Level/Livello A
267 094	AOS201EAB1	s	2-3-4-5-6	Level/Livello A



Index	
Pag. 2	Oven cabinet and door
3	Water system
4	Boiler
5	Electrical components
6	Tray support
7-10	Spare part list

Indice	
Cella forno e porta	
Impianto idraulico	
Boiler	
Componenti elettrici	
Struttura portateglie	
Lista ricambi	

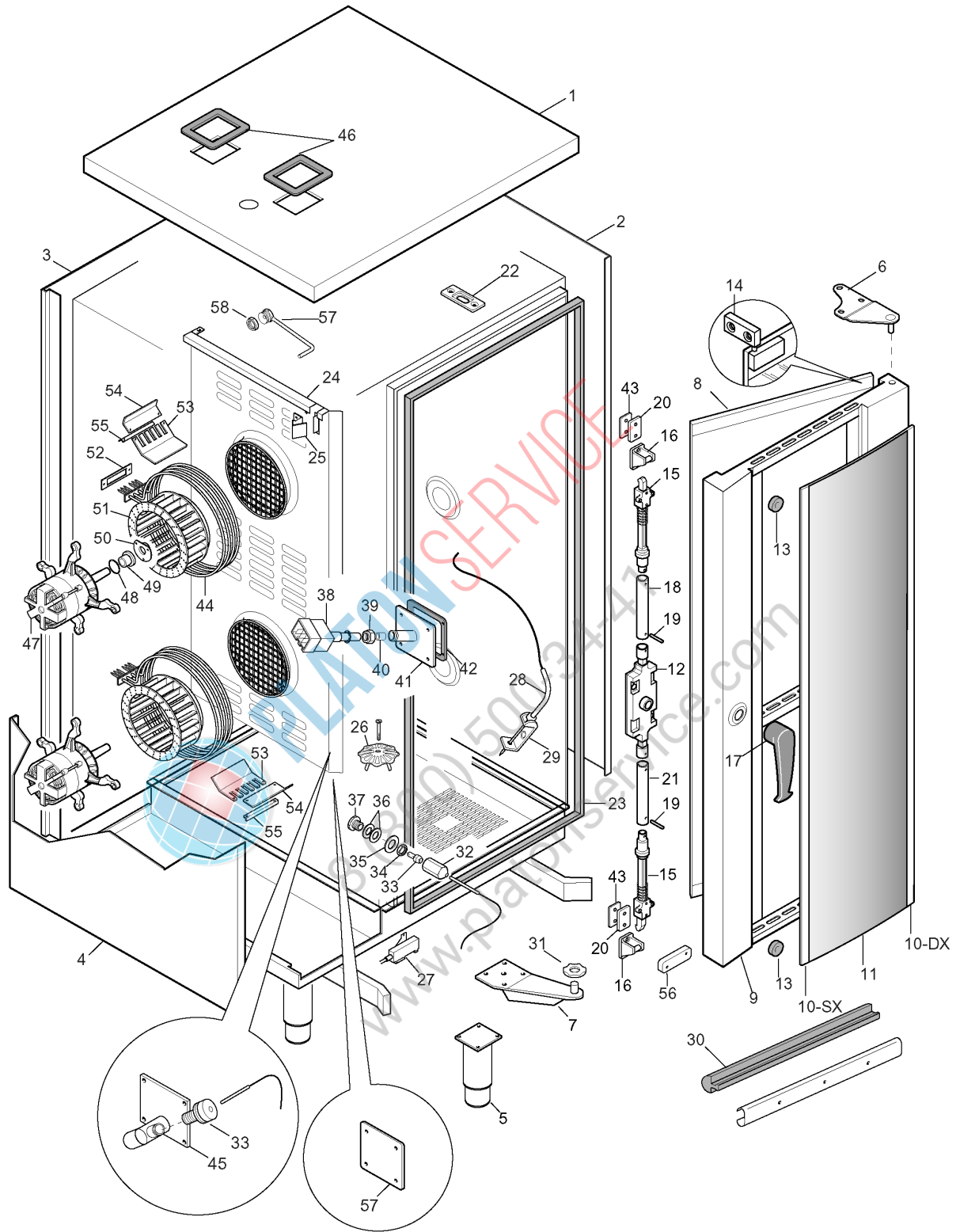
Brand / Marchio: Electrolux
Factory code: 9PDD

OV / DOC

From ser. nr. / Da Ser. Nr.: ***

Page: 1 Ed. 2009 10

Doc. Nr.: **3 - 13 606**



From ser. nr. / Da Ser. Nr.: ***

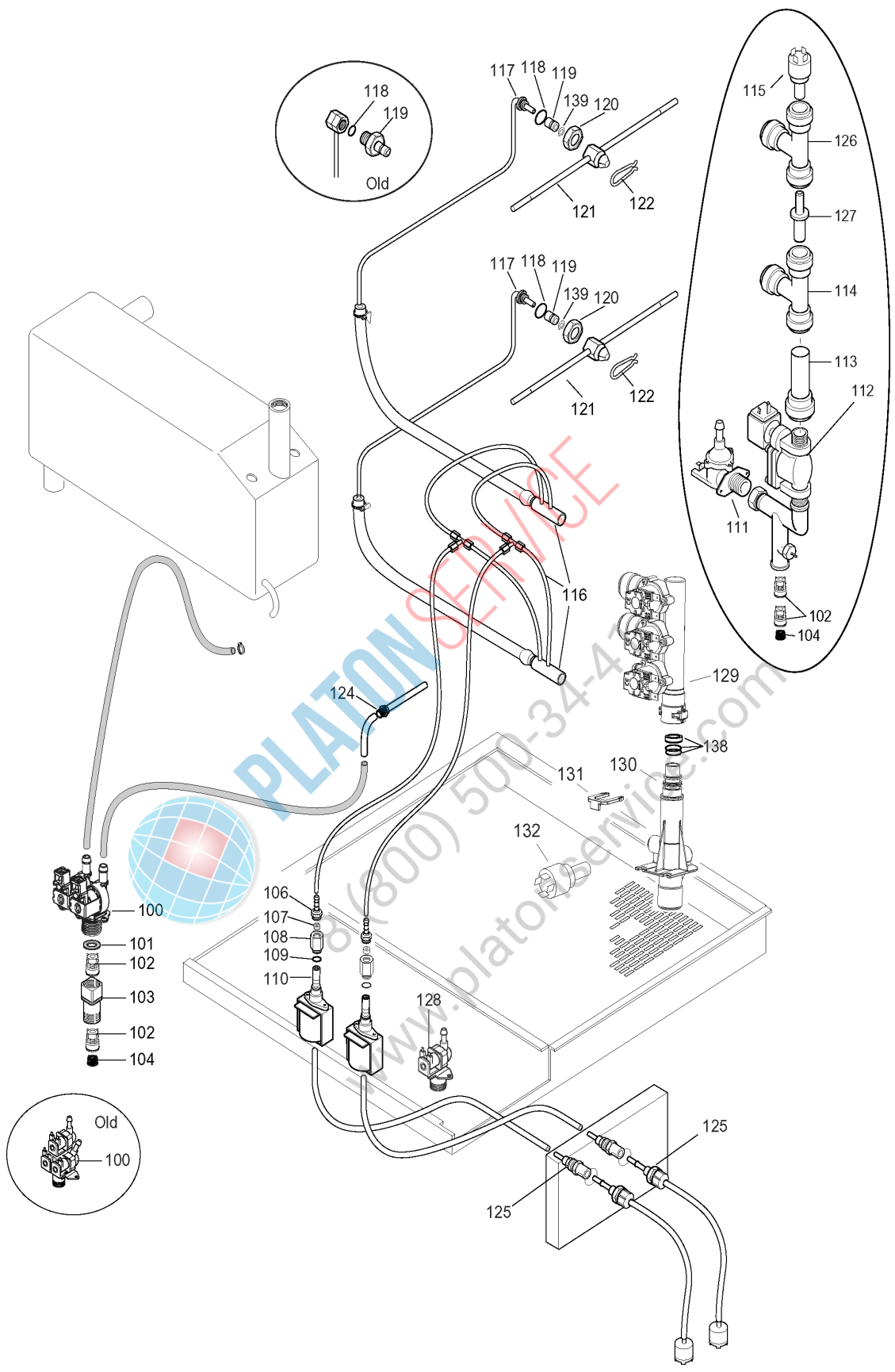
Page: 2

Ed. 2009 10

Doc. Nr.: **3 - 13 606**

??????	268004									
??????	3-13606	???????? 2	Oven cabinet and door							
.		Alias		S			.			(Euro)
0001	0C4305	0873871302			D			LID; ASSY; AOSQ 20 1/1 ELT	Until UP. 04	741,00
0001	0C6183	0580891900						LID; ONE 201E	da/from. 05	153,30
0002	0C4117	0870862500			D			RIGHT SIDE; EST.DX AOSQ 201	Until UP. 04	928,00
0002	0C6205	0538832000						RIGHT SIDE; ONE 201	da/from. 05	249,70
0003	007097	0522846602			D			BACK	Until UP. 04	772,00
0003	0C6207	0538834000						BACK PANEL; ONE 201	da/from. 05	181,70
0004	007096	0522846103			D			LEFT SIDE	Until UP. 04	535,00
0004	0C6209	0538834500						LEFT SIDE; ONE 201	da/from. 05	225,30
0005	0C4824	0806871700		S	C			ADJUSTABLE FOOT; 2" INOX; 190-250MM	a,b,c,d,e,f,g,h,i,p,q,r,s	39,99
0006	007086	0512816004						HINGE		48,92
0007	0C2483	0806843300						LOWER HINGE; ASSY		86,28
0008	0C4118	0873870102	0C5083					GLASS; INT.LW 20 1/1 AOS2		
0009	0C5069	0873875909			D			DOOR ASSEMBLY; ONE 201		3 015,00
0010	0C4968	0530873400						PROFILE; DX ONE 20X		129,90
0010	0C4969	0530873500						PROFILE; SX ONE 20X		129,90
0011	0C4635	0574815303						CURVED GLASS; EST. B/E LW201 AOSQ		484,20
0012	006976	0543828001		S				SHOCK ABSORBER		4,33
0012	0C4119	0856808701		S				DOOR CLOSING ASSY; AOS-Q 20		206,00
0013	003824	0853821500		S				CENTRAL LOCK MECHANISM		91,00
0014	007007	0806822000		S				HINGE		16,36
0015	003822	0853821600	0K2246					HOOK; CLOSING DOOR		
0016	0C3802	0538804900		S				CATCH; FCP 20		43,44
0017	0C4308	0831838002	0C8719					HANDLE; ASSY; AOSQ 20		
0018	0C4309	0513800501		S				SLIDE ROD; UPPER		22,23
0019	060920	0214593100	0H6043					SPRING COTTER		
0020	0C4120	0538807300						THICKNESS; FCS 20 10/10		11,89
0021	0C4310	0513801100		S				SLIDE ROD; LOWER		32,28
0022	0C4088	0543839700		S				GASKET		8,13
0023	0C1473	0543833700		S				OVEN GASKET; 1438X450MM		129,90
0024	0C4798	0831849101						SUCTION WALL; AOSQ 201 ELT		410,10
0025	0C3423	0518807301						SPRING; SUCTION WALL		19,63
0026	0C1740	0518808600		S				FILTER		13,26
0027	049621	0654600000		S	C	+		REED SWITCH		15,00
0028	0C1383	0831816100		S				CORE PROBE	b,d,f,g,h,i,m,o,q	155,30
0029	0C1505	0527865200						SUPPORT		7,29
0030	0C4121	0543839500		S				DOOR GASKET; LOWER; L=657 MM		37,86

??????		268004									
??????		3-13606		???????? 2		Oven cabinet and door					
.		Alias		S			.			(Euro)	
0031	002653	0510815700		S				SPACER FOR HINGE		13,62	
0032	006991	0516855300						NUT		22,43	
0033	0C4872	0543842600		S				PLUG; FOR SENSOR		7,29	
0034	020997	0214105101		S				LOCK NUT		1,25	
0035	002700	0508838701		S				WASHER		3,07	
0036	002624	0543816300		S				GASKET; SET 50 PCS		24,16	
0037	002623	0516809400		S				PIPE FITTING		10,04	
0042	0C4093	0543838300		S				GASKET		11,09	
0043	0C4122	0538807400		S				THICKNESS		8,77	
0044	007064	0617823801	0C6501					HEATING ELEMENT; 5670W-400V	a,b,e,f,g,i,n,o		
0045	0C4311	0806856300						HOSE; WITH FLANGE; AOSQ 20	b,d,f,m,o,q	179,70	
0047	006998	0611806001		S				MOTOR ;190W 230 V 50/60 HZ; 4/6 POLES	a,b,c,d,e,f,l,m,n,o,p,q	228,40	
0048	002873	0543816700		S				O-RING; ØI=MM.28,17X3,53		2,43	
0049	002699	0516808902		S				BEARING; FOR MOTOR SHAFT		20,50	
0050	0C4138	0538815401		S				FLANGE		5,81	
0051	0C1129	0831808400	0C6463					FAN BLADE; ASS.			
0052	002689	0543816501		S				HEATING ELEMENT GASKET		26,09	
0053	0C3830	0527833700		S				SUPPORT		14,58	
0054	006256	0503891801		S				BLADE; FOR FIXING HEATING ELEMENT		15,20	
0055	006253	0503897402		S				ANGLE		9,19	
0056	049627	0699603700		S				MAGNET		9,82	



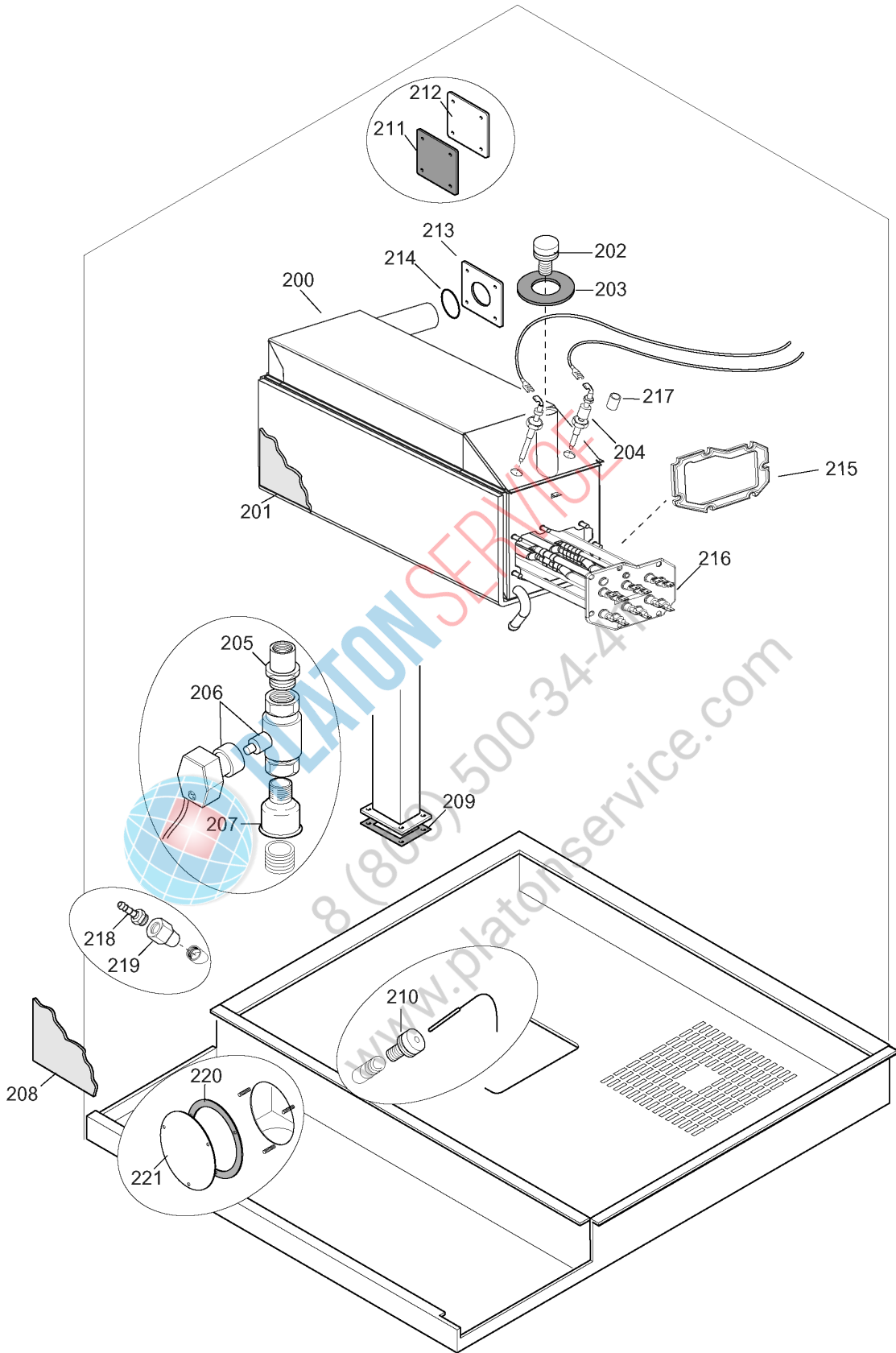
??????	268004								
??????	3-13606	???????? 3	Water system						
.		Alias		S			.		(Euro)
0100	0C1934	0696805500		S	C			SOLENOID VALVE;V380;230V 50/60HZ;3 WAY	a,b,c,d,e,f,l,m,n,o,p,q,r,s 62,10
0100	0C5517	0696808400		S	C			WATER SOLENOID VALVE; 2 VIE/180 5/L MIN	a,b,c,d,e,f,l,m,n,o,p,q,r,s 33,36
0101	0C4096	0543840600		S				FILTER GASKET	1,27
0102	0C2312	0549801800		S				NONRETURN VALVE	5,86
0103	0C2313	0516879400		S				PIPE FITTING	a,b,c,d,e,f,l,m,n,o,p,q,r,s 29,54
0104	0C1155	0831811400		S				FILTER	15,97
0117	000000								
0128	0C3254	0696805700		S	C			SOLENOID VALVE; 1 WAY; 180°;230V 50-60HZ	b,d,f,m,o,q 13,98



PLATON SERVICE

8 (800) 500-34-41

www.platonservice.com



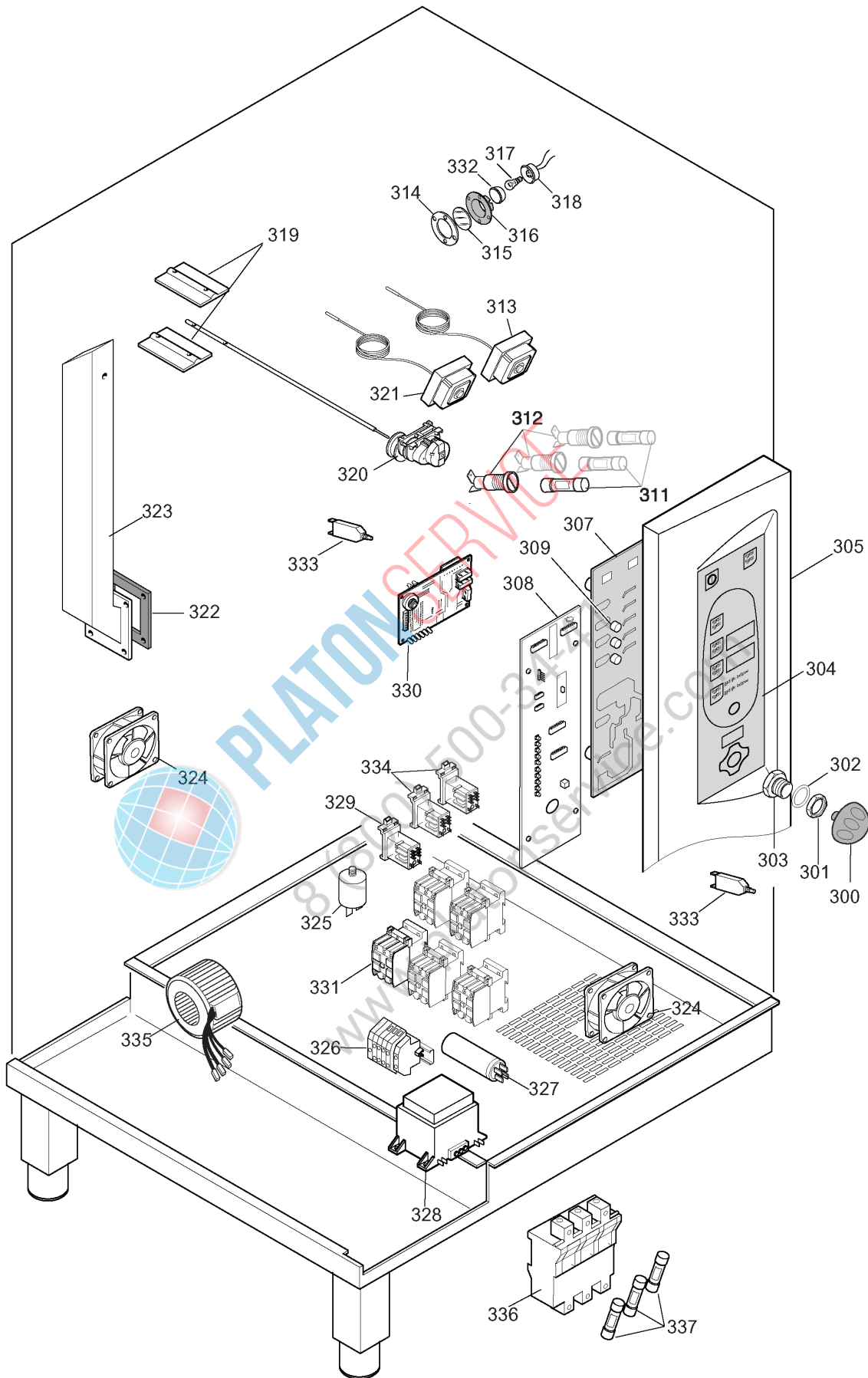
From ser. nr. / Da Ser. Nr.: ***

Page: 4

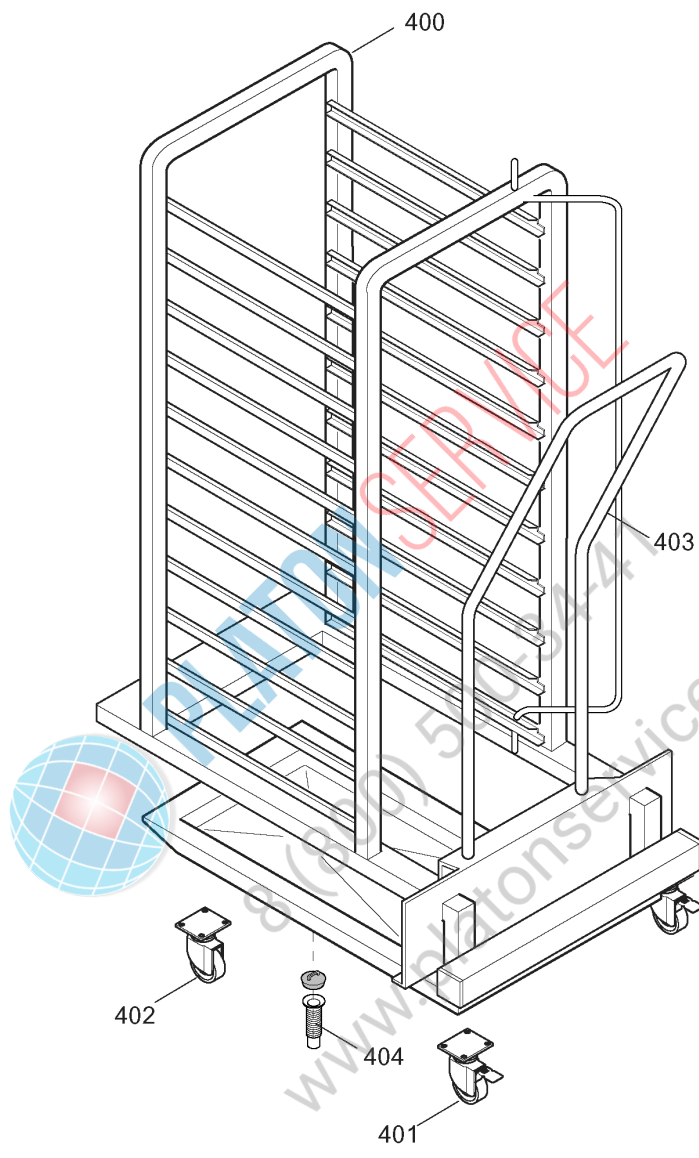
Ed. 2009 10

Doc. Nr.: **3 - 13 606**

??????		268004									
??????		3-13606		???????? 4		Boiler					
.		Alias		S			.				(Euro)
0200	0C4351	0831844600	0C5852					BOILER; ASSY; AOS-Q 10 2/1 - 20 1/1 ELT.	a,b,c,d,e,f,l,m,n,o,p,q,r,s		
0200	0C5849	0831854800		S				BOILER; ASSY; ONE 102-201 ELT	a,b,c,d,e,f,l,m,n,o,p,q,r,s		
0201	0C4352	0560855600		S				BOILER INSULATION; KIT; AOS Q 102 - 201	a,b,c,d,e,f,l,m,n,o,r,s		47,10
0201	0C5837	0569807000						BOILER INSULATION; ELT ONE 102 - 201	a,b,c,d,e,f,l,m,n,o,p,q,r,s		58,26
0202	002692	0543816601		S				CAP; DESCALING LOAD IN THE BOILER	a,b,c,d,e,f,l,m,n,o,r,s		6,76
0203	002634	0543817500	0C7016					BUFFER	a,b,c,d,e,f,l,m,n,o,r,s		
0204	0C1201	0830890600		S				LEVEL PROBE; ASSY	a,b,c,d,e,f,l,m,n,o,r,s		32,99
0205	007117	0516809501		S				CONNECTION	a,b,c,d,e,f,l,m,n,o,r,s		15,81
0206	0C0882	0696804201		S				MOTOR-OPERATED VALVE; 3/4" 230V 50/60HZ	a,b,c,d,e,f,l,m,n,o,r,s		144,10
0207	007040	0511817600		S				CONNECTION	a,b,c,d,e,f,l,m,n,o,r,s		11,09
0208	0CA349	0560840803			D			KIT INSULATOR; AIR BREAK AOSQ 20 1/1	a,b,c,d,e,f,l,m,n,o,r,s		37,56
0213	005381	0508839400		S				FLANGE	a,b,c,d,e,f,l,m,n,o,p,q,r,s		9,14
0214	002874	0543816800		S				O-RING; ØI=31,34X3,53 MM	a,b,c,d,e,f,l,m,n,o,p,q,r,s		3,48
0215	007029	0543828800		S				O-RING; ØI=56,52X5,34MM	a,b,c,d,e,f,l,m,n,o,p,q,r,s		6,58
0216	007101	0617824800	0C5383				+	HEATING ELEMENT; 24KW 400V	a,b,e,f,n,o - (until sn 914)		
0216	0C5841	0617836500		S				HEATING ELEMENT; 400V-24000W	a,b,e,f,n,o - (from sn 914)		211,10
0217	055347	0515857001		S				SPACER; H=11,5MM	a,b,c,d,e,f,l,m,n,o,p,q,r,s		5,81
0218	0C1626	0516872000		S				RUBBER HOLDER	a,b,c,d,e,f,l,m,n,o,p,q,r,s		7,32
0219	0C4099	0516879600		S				NOZZLE; 1/4"FD3.5-3/8"M	a,b,c,d,e,f,l,m,n,o,p,q,r,s		18,88



??????	268004									
??????	3-13606		???????? 5				Electrical components			
.		Alias		S			.			(Euro)
0300	0C4875	0548872200		S				KNOB; BLACK		5,29
0301	051263	0214114900		S				LOCK NUT		3,80
0302	002727	0508836400		S				WASHER		1,02
0303	002662	0516807301		S				BUSH		6,02
0304	007058	0675838902						MEMBRANE	b,d,f,m,o,q	65,77
0305	0C4314	0873880400	0TTP16					CONTROL PANEL; LW201 LIV.B AOSQ	b,d,f,m,o,q	
0307	0C0041	0675838802		S				USER INTERFACE; LIV B	b,d,f,m,o,q	332,90
0309	002670	0548836902		S				EXTENSION; L=6,95MM		1,02
0311	058871	0652800901		S				FUSE; 6,3A; 5X20; QUICK ACTING	a,b,c,d,e,f,g,h,i,p,q	1,02
0311	0C2301	0652803900		S				FUSE; OMEGA 800MA (COD. ST22180)	a,b,c,d,e,f,g,h,i,p,q	1,27
0312	0F0031	0652802100		S				FUSE CARRIER	a,b,c,d,e,f,g,h,i,p,q,r,s	16,08
0313	007042	0646812200		S	C			SAFETY THERMOSTAT; 357°C	a,b,c,d,e,f,g,h,i,l,m,n,o,p,q	93,15
0314	002628	0508840801		S				FLANGE		4,01
0315	002627	0574804900		S		+		LAMP GLASS		10,24
0316	002626	0543817202		S		+		LAMP HOLDER GASKET		15,39
0317	0C2803	0660807800	0C4396		D			HALOGEN LAMP; 12V 20W 300GR.CENT.		
0318	007105	0660806800		S				LAMP HOLDER		27,61
0319	0C1169	0538804000						THROTTLE		19,89
0320	0C0883	0646812801		D		PDD2012-14		GEARMOTOR; 230V 50HZ; 4VA	a,b,c,d,e,f,g,h,i,l,m,n,o,p,q	79,37
0321	0C2983	0646814900		S	C			OVERTEMPERATURE LIMITER; 140GR 3P	a,b,c,d,e,f,g,h,i,l,m,n,o,p,q	82,80
0322	0C1168	0543832200						GASKET		31,57
0323	0C1219	0831806402						PIPE		69,53
0324	0C4106	0624811000		S				FAN; 220/240V 50/60HZ		37,76
0325	049303	0694605400		S				RADIO INTERFERENCE FILTER; 250V 50/60HZ	a,b,c,d,e,f,g,h,i,l,m,n,o,p,q	23,55
0326	0F0112	0639808600		S				TERMINAL BOARD	a,b,e,f,g,h,i,l,m,n,o,p,q	28,62
0327	047541	0694604400		S				CAPACITOR; 12,5MF		12,31
0328	0C4460	0624811600	0C6400					TRANSFORMER; 230V 12/24V 100VA	a,b,e,f,g,i,p,q	
0329	058557	0648803001	058857					RELAY	a,b,c,d,e,f,g,h,i,l,m,n,o,p,q	
0331	007104	0648807800		S	C			CONTACTOR; 220-240V 50HZ/240-264V 60HZ	a,b,e,f,l,m,n,o,p,q	115,60
0331	088447	0648807300	087913					LAMP BODY	a,b,e,f,l,m,n,o,p,q,r,s	
0332	0C4459	0509803900		S				LAMP CAP		5,91



??????	268004									
??????	3-13606		???????? 6				Tray support			
.		Alias		S			.			(Euro)
0400	007106	0853854207			D			TROLLEY TRAY RACK F. 20X1/1GN.63MM PITCH	a,b,c,d,g,h,l,m,n,o,p,q,r,s	2 040,00
0401	0C1631	0835865000		S				CASTOR WITH BRAKE; DIA 100MM		37,56
0402	0C1632	0835865100		S				CASTOR WITHOUT BRAKE		31,06
0403	007108	0517868200						HANDLE		137,00
0404	006309	0H21503300		S				TUB DRAIN		34,10



PLATON SERVICE

8 (800) 500-34-41

www.platonservice.com